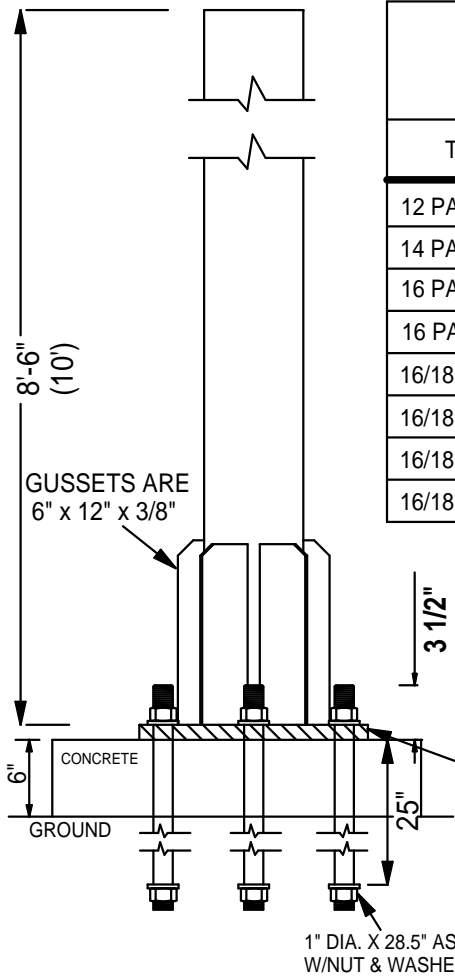


REQUIRED FOUNDATION SIZE BASED ON SOIL CONDITION

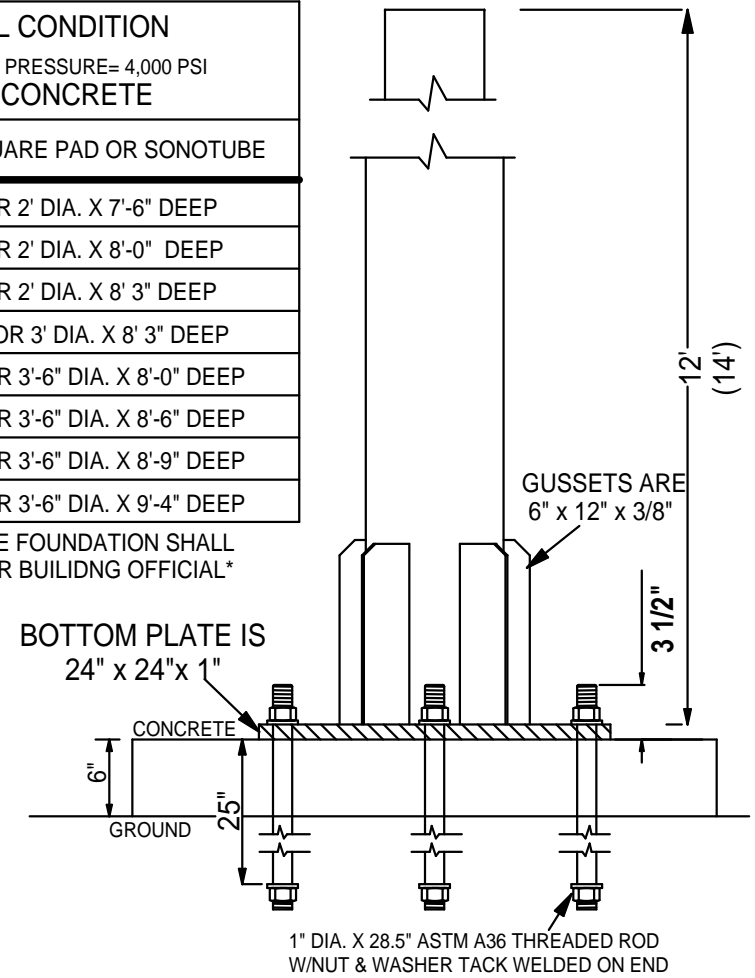
LATERAL SOIL BEARING= 400 PSF/FT ALLOWABLE FOUNDATION PRESSURE= 4,000 PSI
 90 MPH WIND LOAD NO REBAR REQUIRED IN CONCRETE

TRACKER SIZE/POST HEIGHT	REQUIRED FOOTING SIZE SQUARE PAD OR SONOTUBE
12 PANEL UP TO 200 SQ FT/8.5 FT POST	4'-0" X 4'-0" X 4'-0" DEEP PAD OR 2' DIA. X 7'-6" DEEP
14 PANEL UP TO 220 SQ FT/8.5 FT POST	4'-6" X 4'-6" X 4'-6" DEEP PAD OR 2' DIA. X 8'-0" DEEP
16 PANEL UP TO 250 SQ FT/8.5 FT POST	4'-6" X 4'-6" X 5'-3" DEEP PAD OR 2' DIA. X 8' 3" DEEP
16 PANEL UP TO 250 SQ FT/10 FT POST	5'-0" X 5'-0" X 4'-10" DEEP PAD OR 3' DIA. X 8' 3" DEEP
16/18 PANEL UP TO 288 SQ FT/10 FT POST	5'-6" X 5'-6" X 5'-0" DEEP PAD OR 3'-6" DIA. X 8'-0" DEEP
16/18 PANEL UP TO 288 SQ FT/12 FT POST	5'-6" X 5'-6" X 5'-3" DEEP PAD OR 3'-6" DIA. X 8'-6" DEEP
16/18 PANEL UP TO 324 SQ FT/12 FT POST	5'-0" X 5'-0" X 5'-6" DEEP PAD OR 3'-6" DIA. X 8'-9" DEEP
16/18 PANEL UP TO 324 SQ FT/14 FT POST	5'-0" X 5'-0" X 5'-6" DEEP PAD OR 3'-6" DIA. X 9'-4" DEEP

IF SOIL TYPE DOES NOT MATCH SOIL TYPE DESCRIBED, THE FOUNDATION SHALL BE DESIGNED BY A QUALIFIED PROFESSIONAL ENGINEER OR BUILDING OFFICIAL

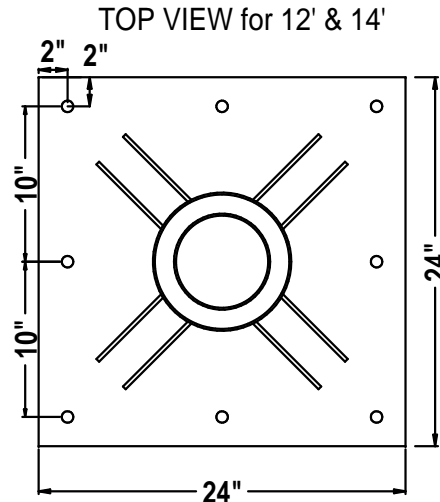
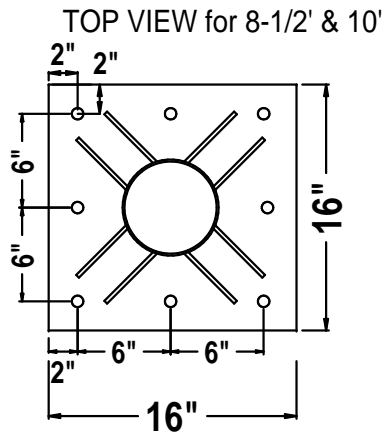


1" DIA. X 28.5" ASTM A36 THREADED ROD
 W/NUT & WASHER TACK WELDED ON END



BOTTOM PLATE IS
 24" x 24" x 1"

1" DIA. X 28.5" ASTM A36 THREADED ROD
 W/NUT & WASHER TACK WELDED ON END



NOTES:
 FOUNDATIONS CAN BE OUT OF GROUND 6"
 ANCHOR BOLTS TO BE 28.5" IN LENGTH & 1" DIA
 ANCHOR BOLTS MUST BE ASTM A36 OR EQUIVALENT
 ANCHOR BOLTS MUST BE LOCATED BY MEANS OF A
 TEMPLATE. DO NOT HAND SET ANCHOR BOLTS

DH SOLAR
 1" PLATE & POST DETAIL
 6-29-11

BASE PLATE 8 hole